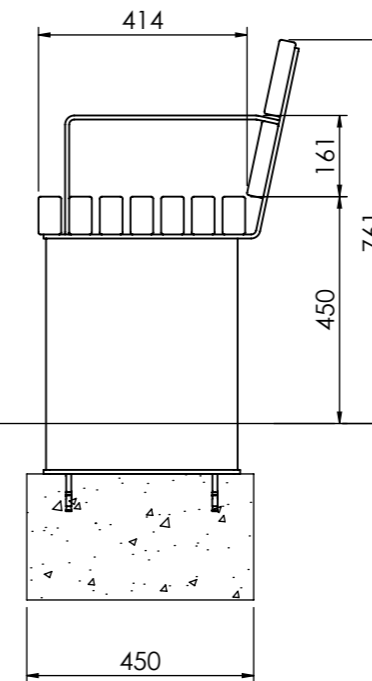
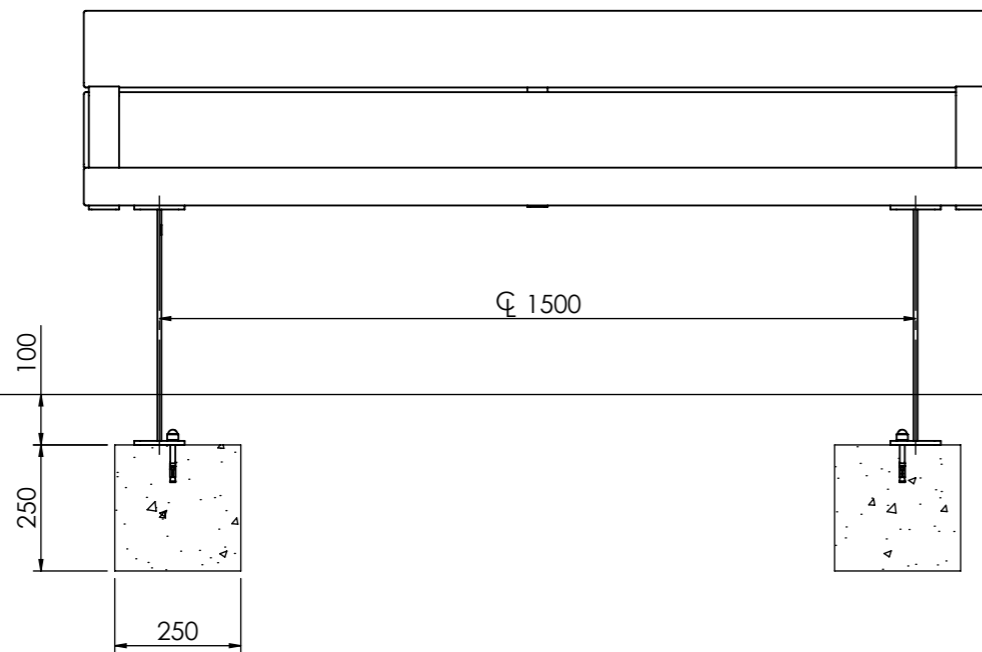


APPROVED FOR ISSUE



FOOTING OPTION:
RECOMMENDED Min. FOUNDATION AS SHOWN IN C16/20 CONCRETE. **SITE ENGINEER TO DETERMINE APPROPRIATE SIZE AND COMPOSITION OF PAD BASED ON LOCAL GROUND CONDITIONS.**

INSTALLATION Via **4off Min. M10x100 THROUGHBOLTS**

APPROXIMATE TOTAL WEIGHT: **84.2 Kg**

**BENCH IS SUPPLIED TO SITE FULLY ASSEMBLED
GROUND FIXINGS SUPPLIED BY OTHERS**

**GENERAL ARRANGEMENT:
GREENGATE SEAT**



Adlington Business Park, London Road, Adlington, Cheshire, SK10 4NL
Tel: 01625 322 888 | enquiries@bsfg.co.uk

BSFG Doc. NUMBER: BSSGA2213 - WIP-3_OGA	Doc. TYPE	SHEET: SHEET 3 OF 5	SCALE: 1:15 @A3	DRW: TS	DATE: 05/05/2020
BSFG Doc. TITLE: 1800 SSM ARMS - GREENGATE SEAT			CHK: JF	DATE: 05/05/2020	
PART NUMBER: GREENGATE SEAT			APP: JF	DATE: 13/02/2024	
PART CONFIGURATION: 1800 ARMS SSM			BSFG Doc. STATUS: APPROVED FOR ISSUE		
BSFG JOB NUMBER: STANDARD PRODUCT			3rd ANGLE PROJECTION	DO NOT SCALE FROM DRAWING DIMENSIONS IN mm UNLESS STATED OTHERWISE	BSFG Doc.REV: 0

PRODUCTS WILL BE SUPPLIED WITH A SMALL IDENTIFICATION LABEL. IF YOU WOULD LIKE THIS REMOVED PRIOR TO DELIVERY PLEASE SPECIFY AT TIME OF ORDER